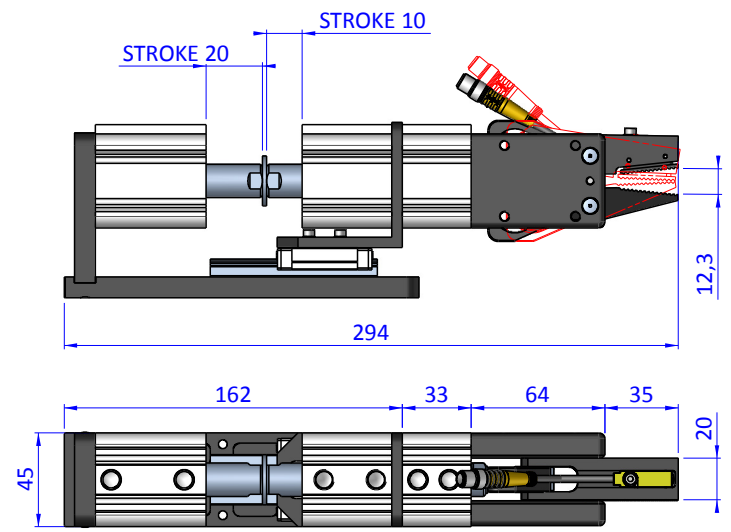
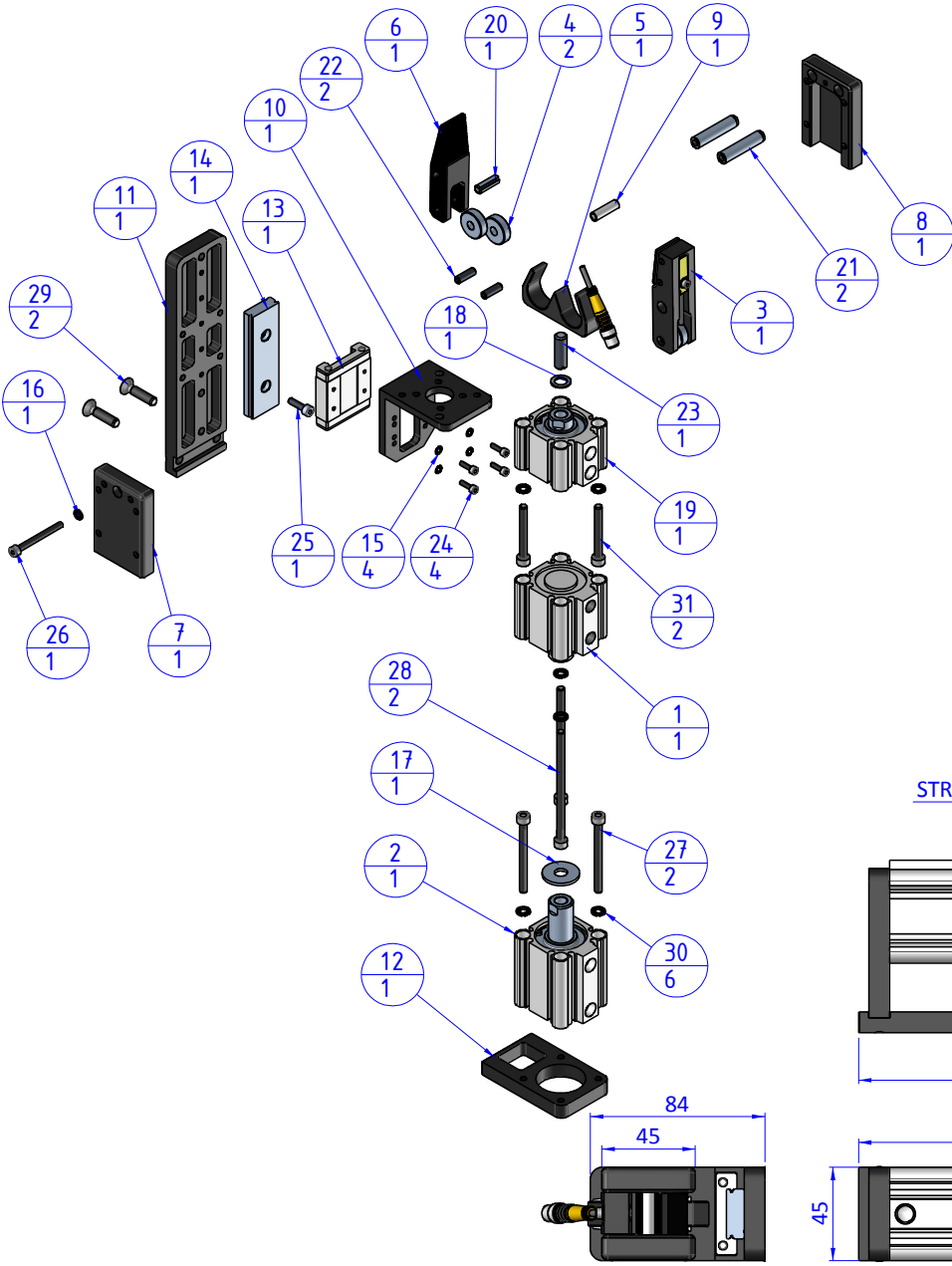



THE PROPERTY OF THE DRAWING IS ESTABLISHED BY LAW. IT IS FORBIDDEN TO PRODUCE OR SHOW IT TO THIRD PARTY, WITHOUT A WRITTEN AGREEMENT.

Item	Name	Q.ty
1	CA.11.18.009	1
2	CA.11.18.010	1
3	CA.GZ.32.FING.S	1
4	CUS.626Z	2
5	GZ.3225.01	1
6	GZ.3225.02	1
7	GZ.3225.03	1
8	GZ.3225.04	1
9	GZ.3225.05	1
10	GZ.32201025.01	1
11	GZ.32201025.02	1
12	GZ.32201025.04	1
13	HI.MGW12CZ1C	1
14	HI.MGWR12R80	1
15	R.3.SCH	4
16	R.4.SCH	1
17	R.8.LARGA	1
18	R.8.SCH	1
19	SMC.CQ2B32TF-10DZ	1
20	SPE.6X18	1
21	SPFF.8X36	2
22	V.STM5x15	2
23	V.STM8X25	1
24	V.TCE3x10	4
25	V.TCE4x14	1
26	V.TCE4x40	1
27	V.TCE5x55	2
28	V.TCE5x85	2
29	V.TSP6x25	2
30	R.5.SCH	6
31	V.TCE5x40	2



Format A3
UNI 936-76

 FPS FPSERVICES AUTOMATION		DESIGNED FROM	REVIEW
		FPS Automation	A
GENERAL TOLERANCE	DESCRIPTION	DATE	WEIGHT
UNI - ISO 2768	CA.GZ.32	03/06/2019	0,490kg
CLASSE f		CODE	
		CA.GZ.322010.S	